 REMO-HSE	R-B120-scr-MK Series	Datasheet
	Damping Resistor	

Description:

- Resistor with two high voltage connections for inserting the high voltage cable
- To be placed between load and high voltage generator in order to dampen energetic sparks in capacitive loads
- Aluminum heat sink profile with PG gland
- Voltage polarity independent



Typical Applications:

E.g., electrostatic precipitators, electrostatic oiling machines, electrostatic separators, etc.

Technical Data	
Nominal Voltage:	max. 120kV DC on both connections
Nominal Current:	see selection table
Resistance:	see selection table
High Voltage Connection:	dry plug-in connection with 4mm socket and with strain relief (PG11 gland)

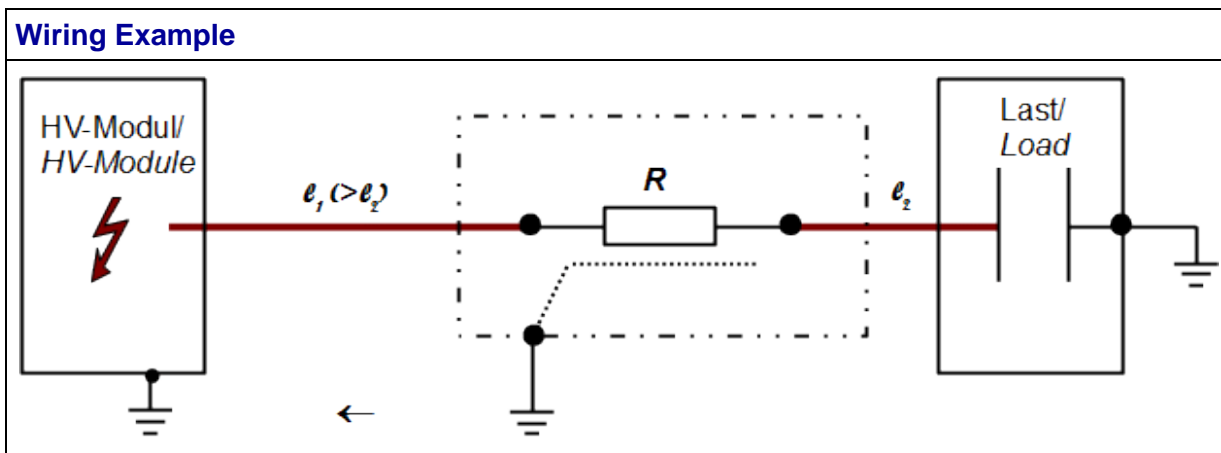
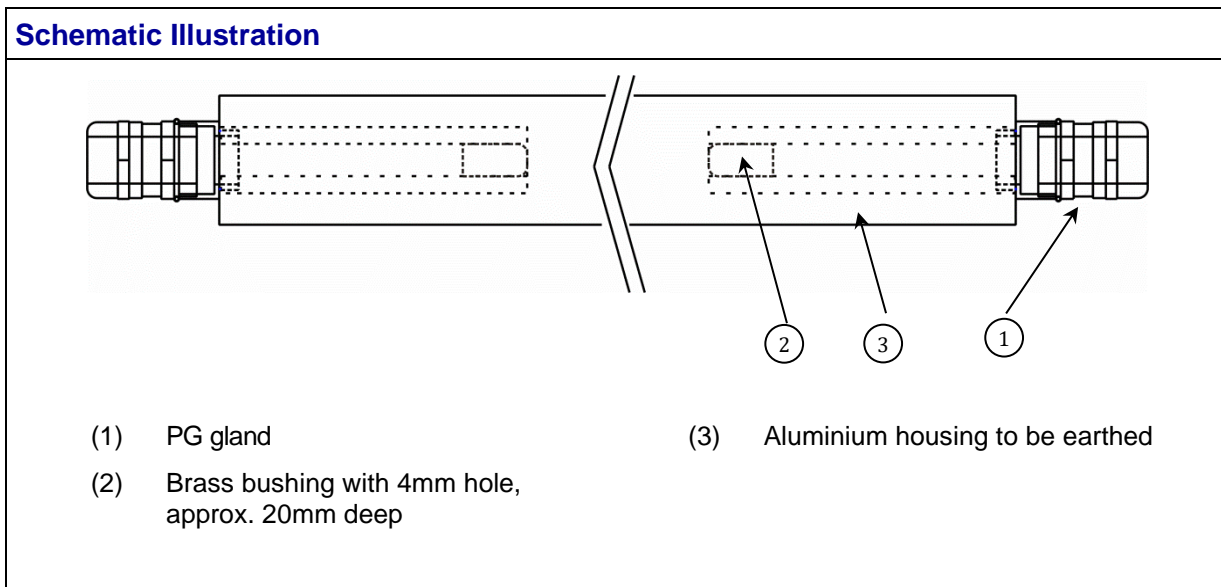
Environmental Data and Mounting Instructions	
Operating Temperature Range:	0 to +40°C, whereby the following mounting instructions must be observed: If possible, the resistor with the heat sink should be placed so that the fins are vertical and natural convection can provide unhindered cooling – of course, an additional fan can also be used. To ensure that the heat sink is cooled as well as possible, it should be mounted on a "cool" metal surface if possible
Storage Temperature Range:	-25 to +70°C
Humidity:	80% maximum relative humidity up to +31°C, reducing linearly to 50% at +40°C. Non condensing (re. EN61010-1).
Altitude:	0 to 2000m

r-b120-scr-mk_ds_en_02.docx

Datum: 2022-06	REMO-HSE Hochspannungselektronik GmbH, Straubinger Str. 28, D - 94372 Rattiszell Tel.: +49 (0) 9964 / 6406 - 0 * Fax: +49 (0) 9964 / 6406 - 20 * Email: info@remo-hse.de	Seite 1 / 3
-------------------	---	----------------

 REMO-HSE	R-B120-scr-MK Series	Datasheet
	Damping Resistor	

Mechanical Dimensions	
Dimensions ca.: (without PG screw fittings)	L = 364mm, W = 143mm, H = 80mm
Insertion depth ca.:	300 mm
Inner diameter of the cable insertion guide ca.:	10 mm
Weight ca.:	4,9kg

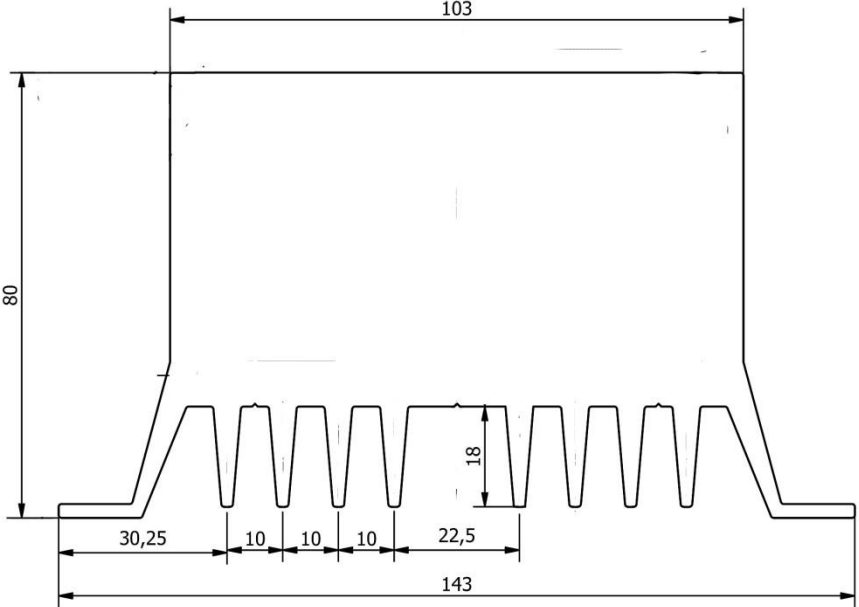


Date: 2022-06	REMO-HSE Hochspannungselektronik GmbH, Straubinger Str. 28, D - 94372 Rattiszell Tel.: +49 (0) 9964 / 6406 - 0 * Fax: +49 (0) 9964 / 6406 - 20 * Email: info@remo-hse.de	Page 2 / 3
------------------	---	---------------

 REMO-HSE	R-B120-scr-MK Series	Datasheet
	Damping Resistor	

Model Selection Table¹⁾:		
Designation	Max. Current Rating in mA	Resistance in $\Omega \pm 10\%$
R-B120-1.5m-25M-scr-MK	1.5	25M
R-B120-30m-12k-scr-MK	30	12k

¹⁾ Further models are available on request

Mechanical Drawing

Mechanical Dimensions in mm, Tolerance: +/-3mm

r-b120-scr-mk_ds_en_02.docx

Date: 2022-06	REMO-HSE Hochspannungselektronik GmbH, Straubinger Str. 28, D - 94372 Rattiszell Tel.: +49 (0) 9964 / 6406 - 0 * Fax: +49 (0) 9964 / 6406 - 20 * Email: info@remo-hse.de	Page 3 / 3
------------------	---	---------------