	R-B40/B80/B120-scr-M Series	Datasheet
	Damping Resistor	

Description:

- Resistor with two high voltage connections for inserting the high voltage cable
- To be placed between load and high voltage generator in order to dampen energetic sparks in capacitive loads
- Aluminium housing with cable gland PG11 Brass
- Voltage polarity independent



Typical Applications:


E.g. Electrostatic Precipitators, electrostatic oiling machines, etc.

Technical Data	R-B40 Series	R-B80 Series	R-B120 Series
Nominal Voltage:	max. 40kV DC	max. 80kV DC on both connections	max. 120kV DC
Nominal Current:	see selection table		
Resistance:	see selection table		
High Voltage Connection:	Dry connection with skintop strain relief cable gland for inserting a high voltage cable with 4mm banana plug (PG11 Brass -gland)		

Mechanical Dimensions	R-B40 Series	R-B80 Series	R-B120 Series
Dimensions (approx.): (without connectors)	Ø ca. 40mm L = 460mm	Ø ca. 40mm L = 560mm	Ø ca. 75mm L = 400mm
Insert Depth (approx.): (lengths between the pushed back outer conductor and the multi-contact plug)	180 mm	230 mm	350 mm
Inner Diameter of the Cable Gland ca.:	10 mm		
Weight (approx.):	0,95kg	1,15kg	2,7kg

r-b40b80b120-scr-m_ds_en_01

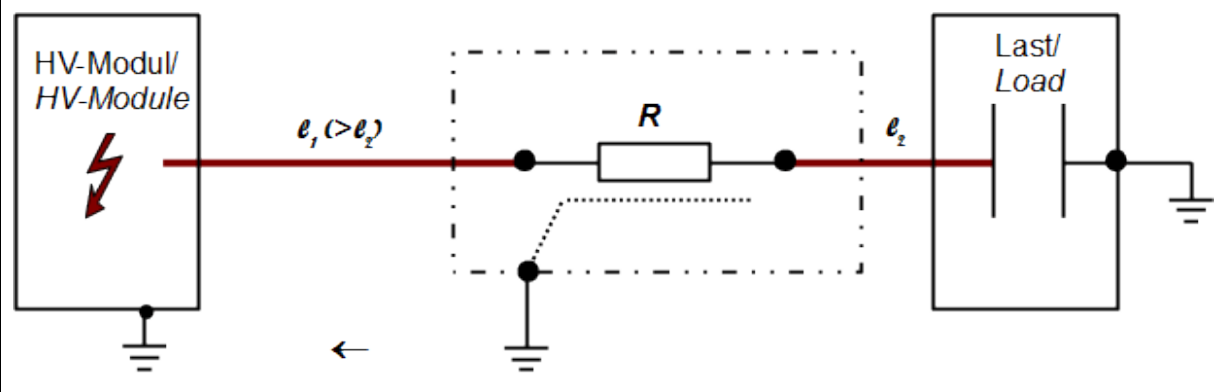
Datum: 2014-05	REMO-HSE Hochspannungselektronik GmbH, Straubinger Str. 28, D - 94372 Rattiszell Tel.: +49 (0) 9964 / 6406 - 0 * Fax: +49 (0) 9964 / 6406 - 20 * Email: info@remo-hse.de	Seite 1 / 4
-------------------	---	----------------

 REMO-HSE	R-B40/B80/B120-scr-M Series	Datasheet
	Damping Resistor	

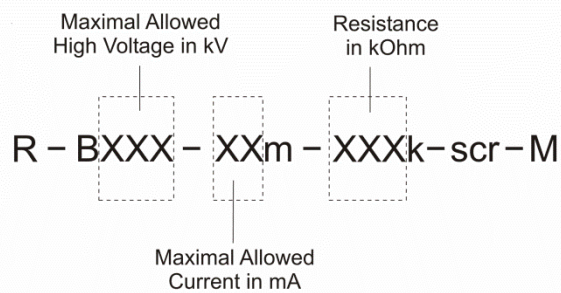
Environmental Data

Operating Temperature Range:	0 to +40°C
Storage Temperature Range:	-25 to +70°C
Humidity:	80% maximum relative humidity up to +31°C, reducing linearly to 50% at +45°C. Non condensing (re. EN61010-1).
Altitude:	0 to 2000m

Circuit Example




Type Code:



r-b40b80b120-scr-m_ds_en_01

Date: 2014-05	REMO-HSE Hochspannungselektronik GmbH, Straubinger Str. 28, D - 94372 Rattiszell Tel.: +49 (0) 9964 / 6406 - 0 * Fax: +49 (0) 9964 / 6406 - 20 * Email: info@remo-hse.de	Page 2 / 4
------------------	---	---------------

	R-B40/B80/B120-scr-M Series	Datasheet
	Damping Resistor	

Model Selection Table²⁾:

Designation	Max. Current Rating in mA	Resistance in kΩ ± 10%
R-B40-7m-80k-scr-M	7	80
R-B40-8m-60k-scr-M	8	60
R-B40-10m-40k-scr-M	10	40
R-B40-15m-20k-scr-M ³⁾	15	20
R-B40-20m-10k-scr-M ⁴⁾	20	10
R-B40-30m-5k-scr-M ⁵⁾	30	5
R-B40-40m-3k-scr-M	40	3
<hr/>		
R-B80-7m-80k-scr-M	7	80
R-B80-8m-60k-scr-M	8	60
R-B80-10m-40k-scr-M ⁶⁾	10	40
R-B80-15m-20k-scr-M ⁷⁾	15	20
R-B80-20m-10k-scr-M	20	10
<hr/>		
R-B120-6m-120k-scr-M	6	120
R-B120-7m-90k-scr-M ⁸⁾	7	90
R-B120-8m-60k-scr-M ⁹⁾	8	60
R-B120-10m-40k-scr-M	10	40
R-B120-12m-30k-scr-M	12	30
R-B120-15m-20k-scr-M	15	20

²⁾ Further models are available on request

³⁾ Typical value for MMR/CMR-Series 400W with 30kV or 40kV

⁴⁾ Typical value for MMR/CMR-Series 400W with 20kV and 750W with 40kV

⁵⁾ Typical value for MMR/CMR-Series 750W with 30kV

⁶⁾ Typical value for MMR/CM-Series 400W with 50kV to 80kV and 750W with 80kV

⁷⁾ Typical value for MMR/CMR-Series 750W with 50kV to 70kV

⁸⁾ Typical value for MMR/CMR-Series 400W with 90kV to 120kV and 750W with 110kV to 120kV

⁹⁾ Typical value for MMR/CMR-Series 750W with 100kV

r-b40b80b120-scr-m_ds_en_01

Date: 2014-05	REMO-HSE Hochspannungselektronik GmbH, Straubinger Str. 28, D - 94372 Rattiszell Tel.: +49 (0) 9964 / 6406 - 0 * Fax: +49 (0) 9964 / 6406 - 20 * Email: info@remo-hse.de	Page 3 / 4
------------------	---	---------------



REMO-HSE

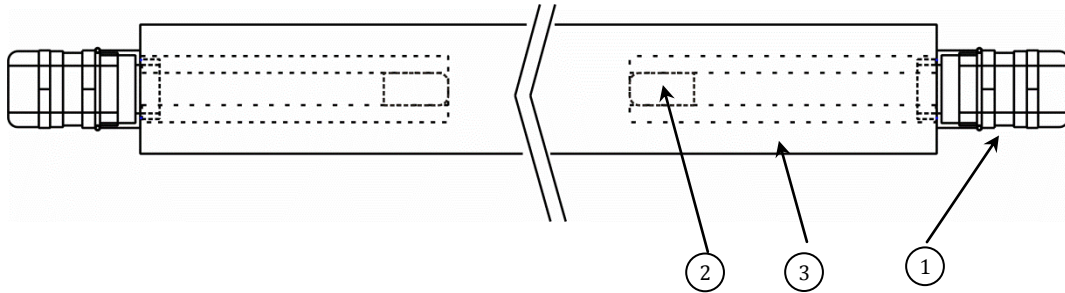
R-B40/B80/B120-scr-M Series

Damping Resistor

Datasheet

Mechanical Drawing

Dimensions: $\pm 3,0\text{mm}$



- (1) EMC screw joint
- (2) 20 mm brass jack

- (3) Aluminium housing

r-b40b80b120-scr-m_ds_en_01

Date:
2014-05

REMO-HSE Hochspannungselektronik GmbH, Straubinger Str. 28, D - 94372 Rattiszell
Tel.: +49 (0) 9964 / 6406 - 0 * Fax: +49 (0) 9964 / 6406 - 20 * Email: info@remo-hse.de

Page
4 / 4